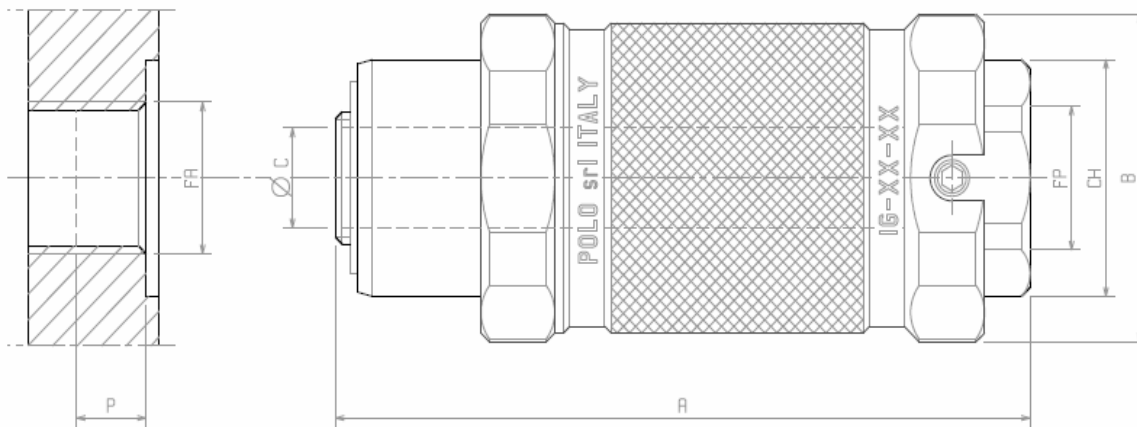


CONNECTION INTO INTERNAL THREADED AND SHAPED ELEMENTS

Series IG (manual version)

- Quick connector for female threads and shaped elements
- Push-pull hand actuation
- Additional safety system against inadvertent disconnection
- Free flow
- Stainless steel
- Working pressure: from 0 up to 350 bar



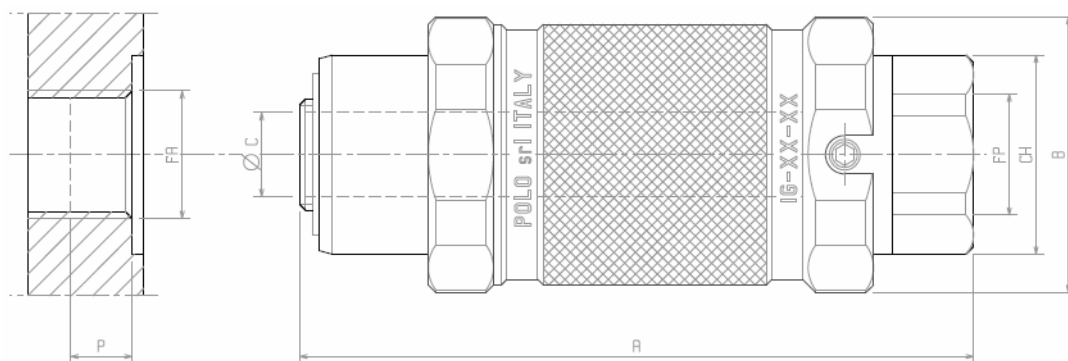
(approximate sizes in mm)

CODE	A	B	CH	FP	ØC	FA	P	WEIGHT (Kg)
IG-18-14	66	30	19	1/4"G	3,5	1/8"G	4,5	0,15
IG-14-14	66	30	19	1/4"G	5	1/4"G	6,5	0,15
IG-38-38	80	36	24	3/8"G	6	3/8"G	6,5	0,23
IG-12-12	97,5	43	30	1/2"G	7,5	1/2"G	10	0,42
IG-34-34	100	49	36	3/4"G	12	3/4"G	12	0,57
IG-1-1	120	58	45	1"G	15	1"G	15	0,70
IG-1.1/2-1.1/2	130	70	50	1-1/2"G	25	1-1/2"G	17,5	0,85

CONNECTION INTO INTERNAL THREADED AND SHAPED ELEMENTS

Series IG –V (manual version - with valve)

- Quick connector for female threads and shaped elements
- Push-pull hand actuation
- Additional safety system against inadvertent disconnection
- Integrated shut-off valve
- Stainless steel
- Working pressure: from 0 up to 350 bar



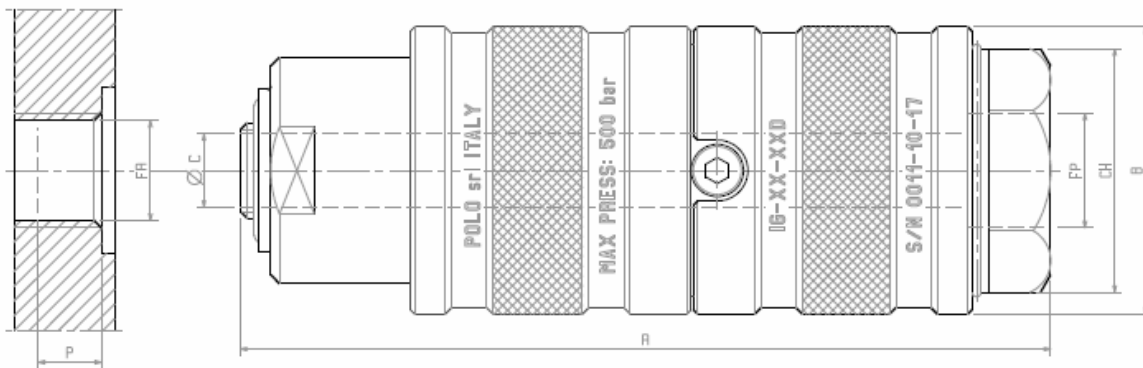
(approximate sizes in mm)

CODE	A	B	CH	FP	ØC	FA	P	WEIGHT (Kg)
IG-18-14V	76	30	19	1/4"G	3,5	1/8"G	4,5	0,20
IG-14-14V	76	30	19	1/4"G	5	1/4"G	6,5	0,20
IG-38-38V	90	36	24	3/8"G	6	3/8"G	6,5	0,30
IG-12-12V	110	43	30	1/2"G	7,5	1/2"G	10	0,40
IG-34-34V	115	49	36	3/4"G	12	3/4"G	12	0,65
IG-1-1V	140	58	45	1"G	15	1"G	15	1,00
IG-1.1/2-1.1/2V	150	70	50	1-1/2"G	25	1-1/2"G	17,5	1,35

CONNECTION INTO INTERNAL THREADED AND SHAPED ELEMENTS

Series IG –D (manual version - high pressure - in-line inlet of fluid)

- Quick connector for female threads and shaped elements
- Push-pull hand actuation
- Double actuation ring
- Additional safety system against inadvertent disconnection
- In-line inlet of the test fluid
- Internal chamber for the pressure compensation
- Stainless steel
- Working pressure: from 0 up to 500 bar



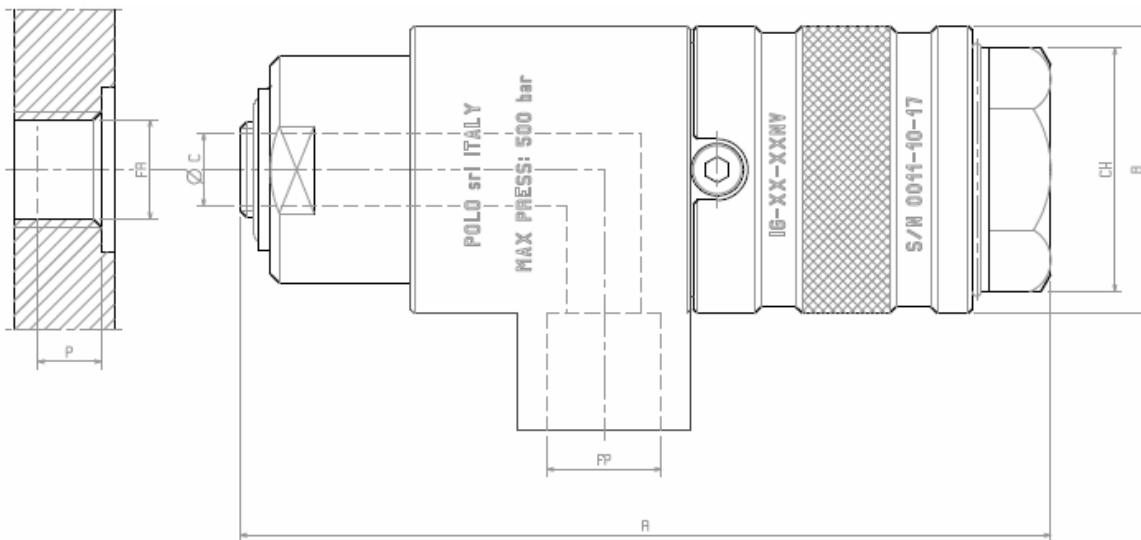
(approximate sizes in mm)

CODE	A	B	CH	FP	ØC	FA	P	WEIGHT (Kg)
IG-18-14D	93	33	24	1/4"G	3,5	1/8"G	4	0,15
IG-14-14D	93	33	24	1/4"G	5	1/4"G	6,5	0,15
IG-38-38D	108	42	30	3/8"G	7	3/8"G	7	0,23
IG-12-12D	115	50	36	1/2"G	10	1/2"G	10	0,42
IG-34-34D	120	55	41	3/4"G	14	3/4"G	13	0,57
IG-1-1D	130	65	46	1"G	17,5	1"G	15	0,70

CONNECTION INTO INTERNAL THREADED AND SHAPED ELEMENTS

Series IG-NV (manual version - high pressure - inlet at 90° - with shut-off valve)

- Quick connector for female threads and shaped elements
- Push-pull hand actuation
- Double actuation ring
- Additional safety system against inadvertent disconnection
- Inlet at 90° of the fluid test
- Integrated shut-off valve
- Internal chamber for the pressure compensation
- Stainless steel
- Working pressure: from 0 up to 500 bar



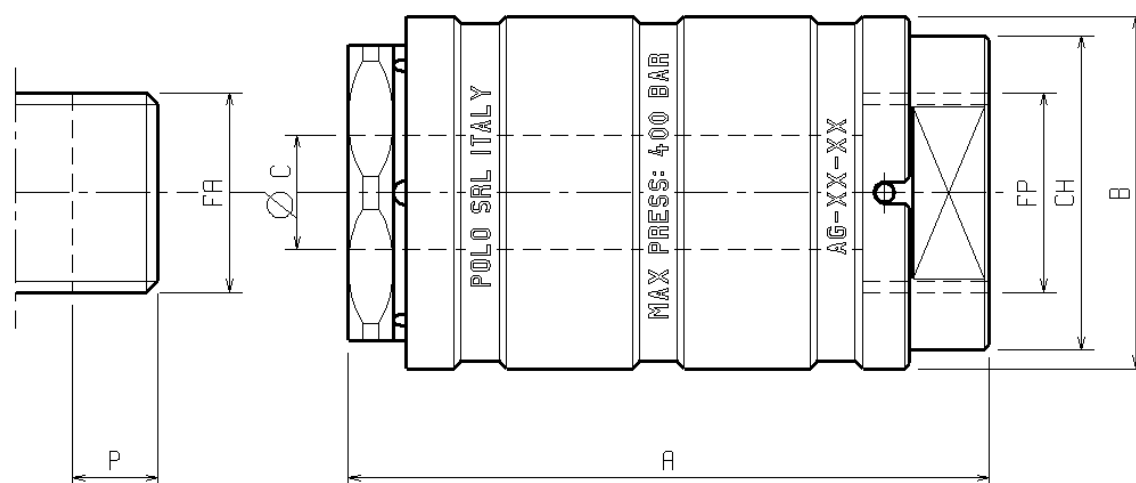
(approximate sizes in mm)

CODE	A	B	CH	FP	ØC	FA	P	WEIGHT (Kg)
IG-18-14NV	93	33	24	1/4"G	3,5	1/8"G	4	0,25
IG-14-14NV	93	33	24	1/4"G	5	1/4"G	6,5	0,25
IG-38-38NV	108	42	30	3/8"G	7	3/8"G	7	0,33
IG-12-12NV	115	50	36	1/2"G	10	1/2"G	10	0,52
IG-34-34NV	120	55	41	3/4"G	14	3/4"G	13	0,67
IG-1-1NV	130	65	46	1"G	17,5	1"G	15	0,80

CONNECTION ON EXTERNAL THREADED AND SHAPED ELEMENTS

Series AG-A (manual version - aluminum)

- Quick connector for male threads and shaped elements
- Push-pull hand actuation
- Additional safety system against inadvertent disconnection
- Free flow
- Anodized aluminum
- Working pressure: from vacuum up to 50 bar (specifications for vacuum pressures on demand)



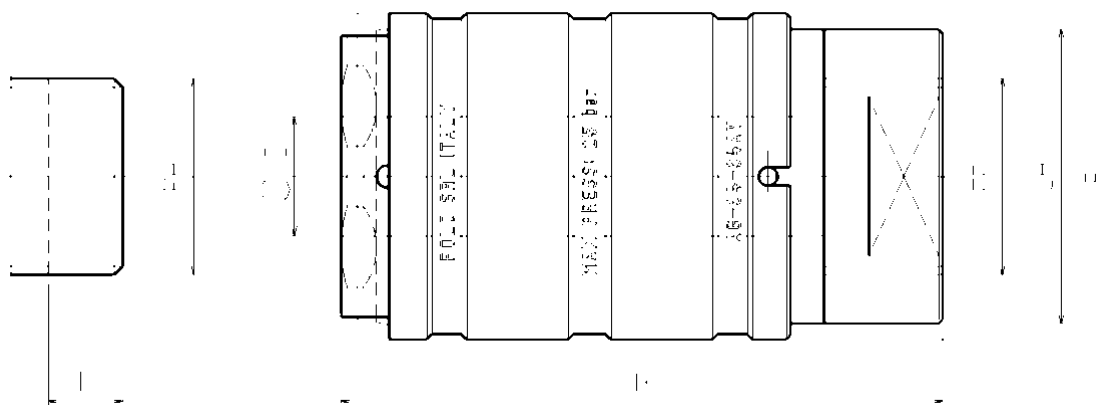
(approximate sizes in mm)

CODE	A	B	CH	FP	ØC	FA	P	WEIGHT (Kg)
AG-14-14A	60	29	22	1/4"G	7	1/4"G	8	0,12
AG-38-38A	67,5	38	29	3/8"G	8,5	3/8"G	10,5	0,15
AG-12-12A	67,5	38	29	1/2"G	12	1/2"G	10,5	0,23
AG-34-34A	70	44	36	3/4"G	16	3/4"G	12	0,28
AG-1-1A	75	54	46	1"G	20	1"G	15	0,33

CONNECTION ON EXTERNAL THREADED AND SHAPED ELEMENTS

Series **AG-AV** (manual version – aluminum - with valve)

- Quick connector for male threads and shaped elements
- Push-pull hand actuation
- Additional safety system against inadvertent disconnection
- Integrated shut-off valve
- Anodized aluminum
- Working pressure: from vacuum up to 50 bar (specifications for vacuum pressures on demand)



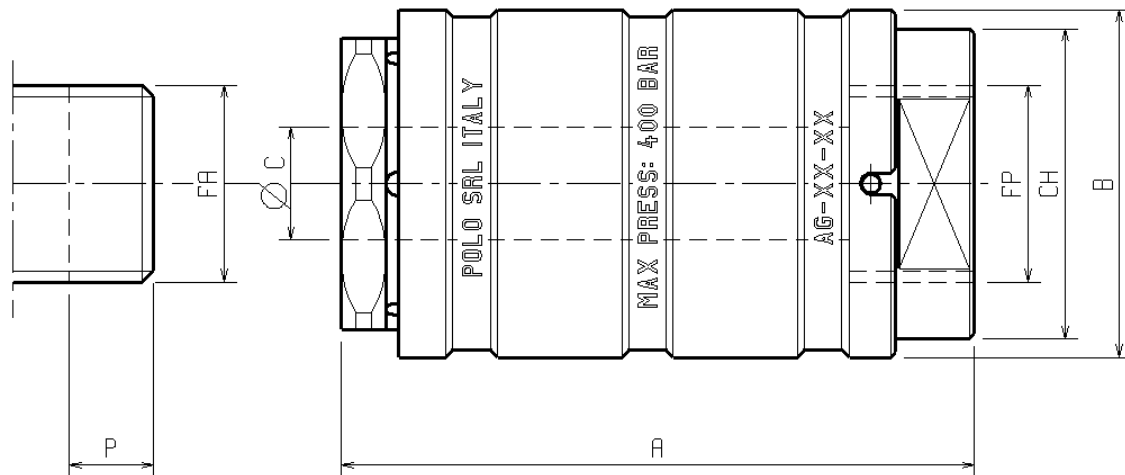
(approximate sizes in mm)

CODICE	A	B	CH	FP	ØC	FA	P	WEIGHT (Kg)
AG-14-14AV	75	29	22	1/4"G	7	1/4"G	8	0,16
AG-38-38AV	81	38	29	3/8"G	8,5	3/8"G	10,5	0,20
AG-12-12AV	81	38	29	1/2"G	12	1/2"G	10,5	0,30
AG-34-34AV	85	44	36	3/4"G	16	3/4"G	12	0,35
AG-1-1AV	90	54	46	1"G	20	1"G	15	0,42

CONNECTION ON EXTERNAL THREADED AND SHAPED ELEMENTS

Series AG (manual version)

- Quick connector for male threads and shaped elements
- Push-pull hand actuation
- Additional safety system against inadvertent disconnection
- Free flow
- Stainless steel
- Working pressure: from vacuum up to 400 bar (specifications for vacuum pressures on demand)



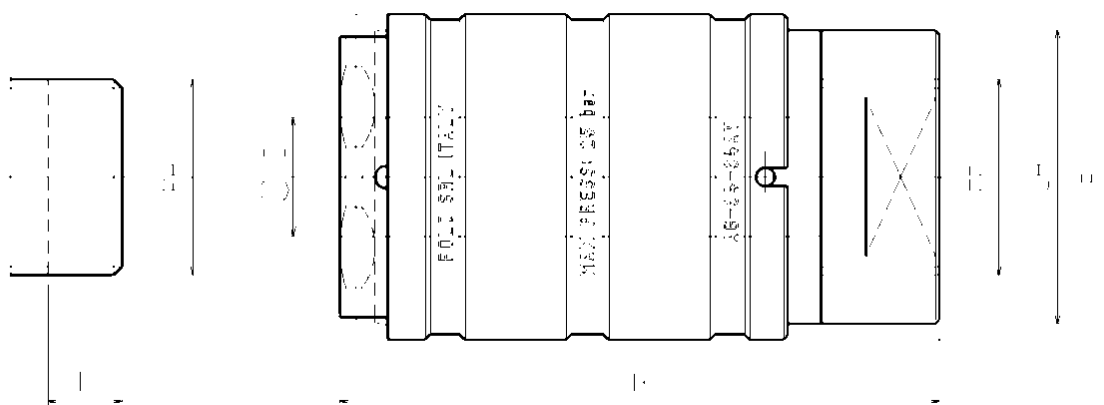
(approximate sizes in mm)

CODE	A	B	CH	FP	ØC	FA	P	WEIGHT (Kg)
AG-14-14	60	29	22	1/4"G	7	1/4"G	8	0,16
AG-38-38	67,5	38	29	3/8"G	8,5	3/8"G	10,5	0,20
AG-12-12	67,5	38	29	1/2"G	12	1/2"G	10,5	0,26
AG-34-34	70	44	36	3/4"G	16	3/4"G	12	0,37
AG-1-1	75	54	46	1"G	20	1"G	15	0,45

CONNECTION ON EXTERNAL THREADED AND SHAPED ELEMENTS

Series AG-V (manual version - with valve)

- Quick connector for male threads and shaped elements
- Push-pull hand actuation
- Additional safety system against inadvertent disconnection
- Integrated shut-off valve
- Stainless steel
- Working pressure: from vacuum up to 400 bar (specifications for vacuum pressures on demand)



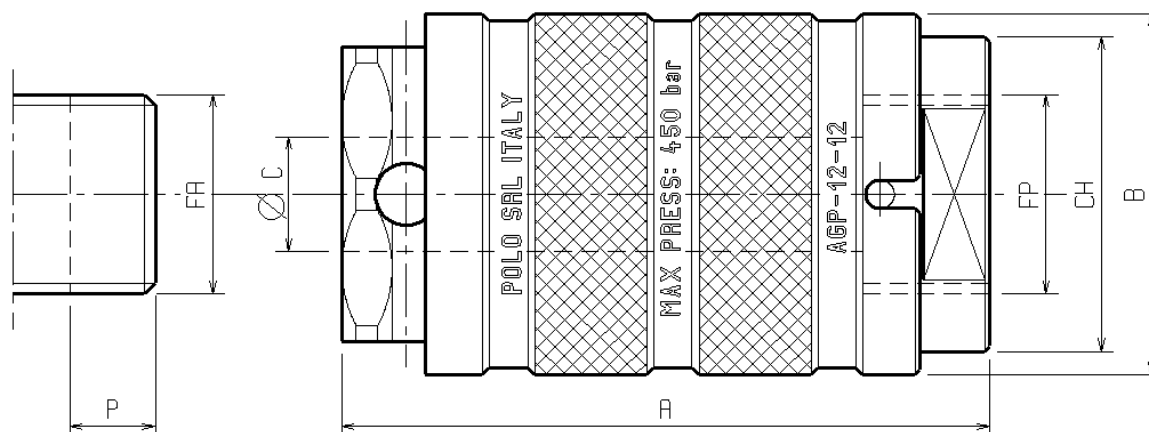
(approximate sizes in mm)

CODE	A	B	CH	FP	ØC	FA	P	WEIGHT (Kg)
AG-14-14V	75	29	22	1/4"G	7	1/4"G	8	0,20
AG-38-38V	81	38	29	3/8"G	8,5	3/8"G	10,5	0,25
AG-12-12V	81	38	29	1/2"G	12	1/2"G	10,5	0,35
AG-34-34V	85	44	36	3/4"G	16	3/4"G	12	0,50
AG-1-1V	90	54	46	1"G	20	1"G	15	0,60

CONNECTION ON EXTERNAL THREADED AND SHAPED ELEMENTS

Series AGP (manual version)

- Quick connector for male threads and shaped elements
- Push-pull hand actuation
- Additional safety system against inadvertent disconnection
- Free flow
- Stainless steel
- Working pressure: from vacuum up to 200 bar (specifications for vacuum pressures on demand)



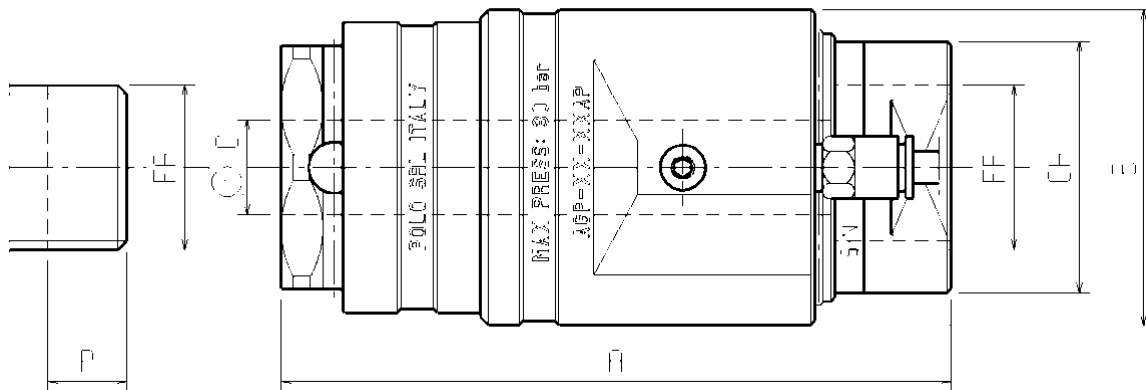
(approximate sizes in mm)

CODE	A	B	CH	FP	ØC	FA	P	WEIGHT (Kg)
AGP-14-14	57,5	27	19	1/4"G	5	1/4"G	8	0,10
AGP-38-38	61	30	24	3/8"G	8,5	3/8"G	9	0,13
AGP-12-12	61	38	30	1/2"G	12	1/2"G	9	0,18
AGP-34-34	67,5	41	36	3/4"G	16	3/4"G	11	0,25
AGP-1-1	80	54	46	1"G	16,5	1"G	12,5	0,30

CONNECTION ON EXTERNAL THREADED AND SHAPED ELEMENTS

Series AGP-P (pneumatic version)

- Quick connector for male threads and shaped elements
- Pneumatic actuation
- Additional safety system against inadvertent disconnection
- Free flow
- Stainless steel
- Compressed air pressure: 4÷6 bar
- Working pressure: from vacuum up to 200 bar (specifications for vacuum pressures on demand)



(approximate sizes in mm)

CODE	A	B	CH	FP	ØC	FA	P	WEIGHT (Kg)
AGP-14-14AP	72,5	30	19	1/4"G	5	1/4"G	9	0,20
AGP-38-38AP	77,5	34	22	3/8"G	8,5	3/8"G	9	0,25
AGP-12-12AP	85	40	27	1/2"G	12	1/2"G	10	0,35
AGP-34-34AP	87,5	45	32	3/4"G	16	3/4"G	10	0,45
AGP-1-1AP	95	57,5	41	1"G	16,5	1"G	10	0,51

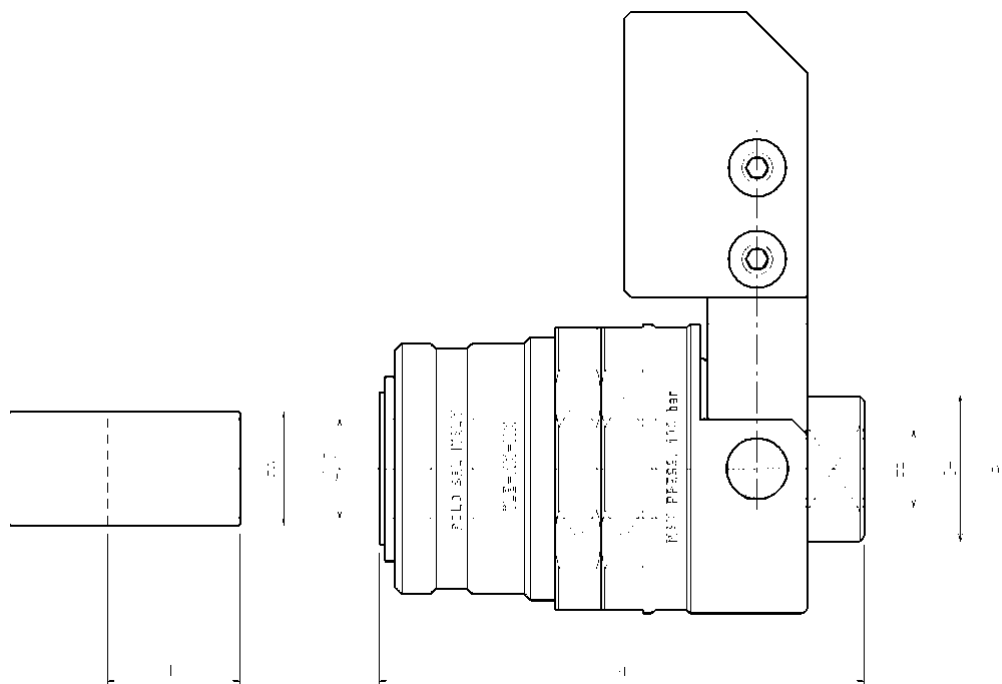
CONNECTION ON SMOOTH PIPES

Series TLE (manual version)

- Quick connector for the connection on the external surface of smooth pipes
- Hand actuation, with lever
- Adjustable locking system
- Free flow
- Stainless steel
- Working pressure: from vacuum up to 200 bar (specifications for vacuum pressures on demand)

TLE-H version

- Working pressure: from vacuum up to 400 bar (specifications for vacuum pressures on demand)



(approximate sizes in mm)

CODE	A	B	CH	FP	ØC	FA	P	WEIGHT (Kg)
TLE06-8÷16-14	63,5	38	19	1/4"G	8,5÷16,5	8÷16	32	0,30
TLE12-16÷24-12	80	53	27	1/2"G	16,5÷24,5	16÷24	41,5	0,60

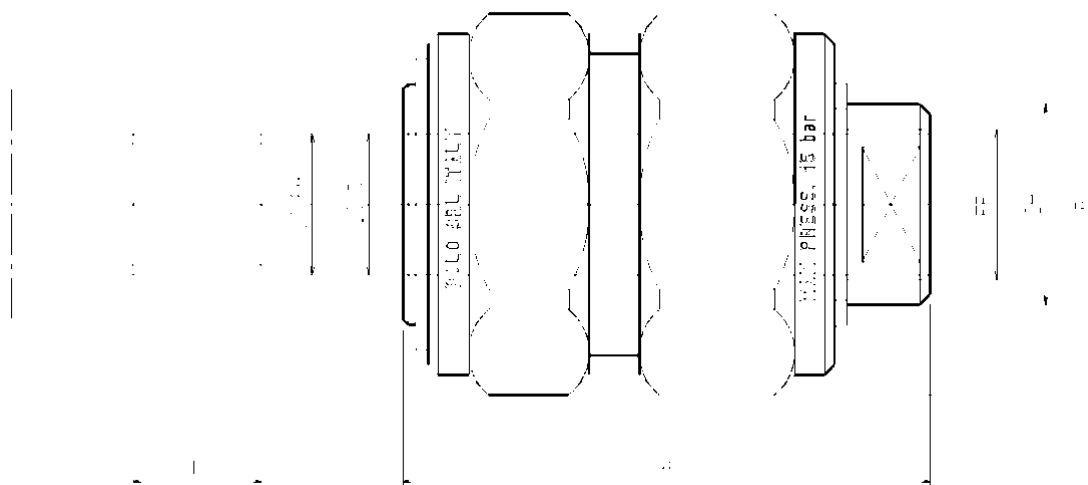
CONNECTION ON SMOOTH PIPES

Series SLE (manual version)

- Quick connector for the connection on the external surface of smooth pipes
- Hand actuation, with locking and unlocking screw system (+ - 90° rotation)
- Free flow
- Stainless steel
- Working pressure: from vacuum up to 200 bar (specifications for vacuum pressures on demand)

SLE-H version

- Working pressure: from vacuum up to 400 bar (specifications for vacuum pressures on demand)



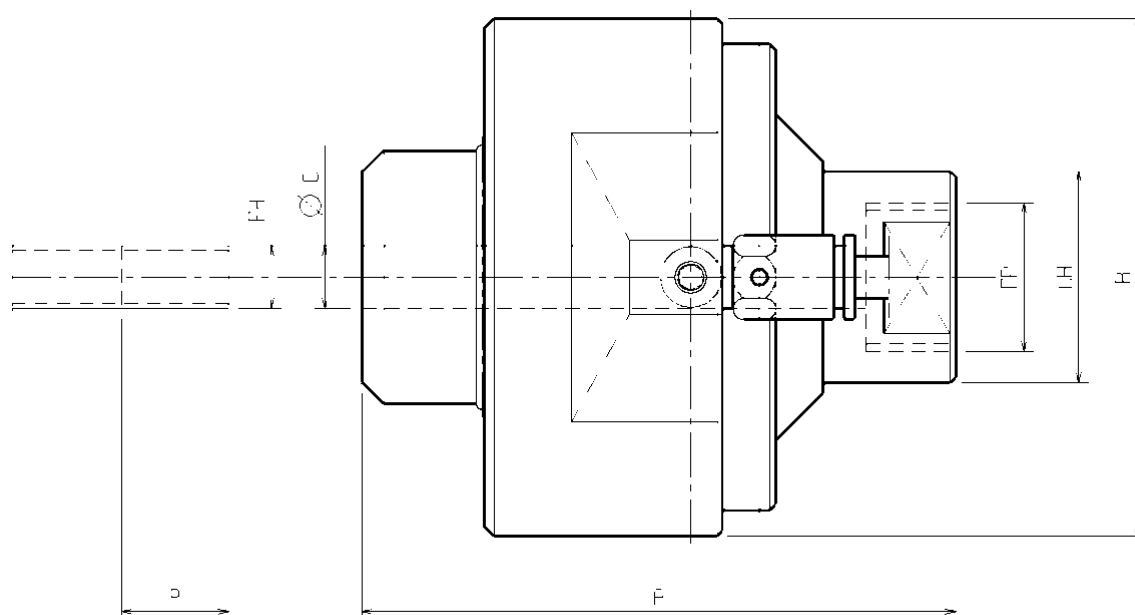
(approximate sizes in mm)

CODE	A	B	CH	FP	ØC	FA	P	WEIGHT (Kg)
SLE06-8÷16-14	52,5	38	19	1/4"G	6,5÷16,5	6÷16	21	0,23
SLE12-16÷24-12	60	48	24	1/2"G	16,5÷24,5	16÷24	24	0,42
SLE14-24÷34-34	74	62	32	3/4"G	26,5÷34,5	26÷34	30	0,75

CONNECTION ON SMOOTH PIPES

Series SLE-P (pneumatic version)

- Quick connector for the connection on the external surface of smooth pipes
- Pneumatic actuation
- Compressed air pressure: 4÷6 bar
- Free flow
- Stainless steel
- Working pressure: from vacuum up to 50 bar (specifications for vacuum pressures on demand)



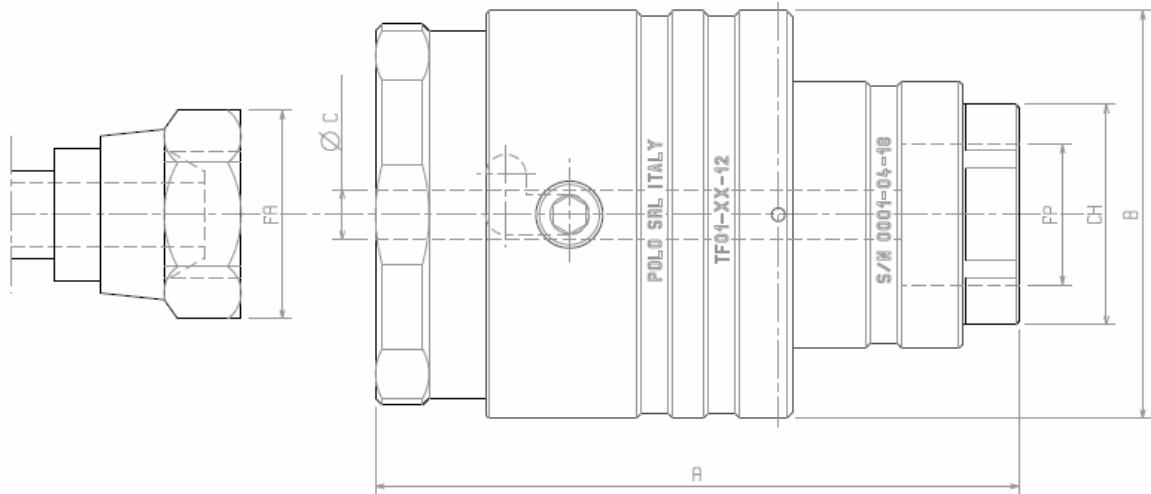
(approximate sizes in mm)

CODE	A	B	CH	FP	ØC	FA	P	PESO (Kg)
SLE06-6÷16-14P	57,5	50	19	1/4"G	6,5÷16,5	6÷16	21	0,420
SLE12-16÷26-12P	70	80	24	1/2"G	16,5÷26,5	16÷26	24	0,650

CONNECTION ON FLEXIBLE TUBES

Series TF (manual version)

- Quick connector for the connection and testing of flexible tubes joined with:
 - female swiveling hexagon nut
 - male swiveling nipple
 - SAE flange
- Push-pull hand actuation
- Additional safety system against inadvertent disconnection
- Free flow
- Stainless steel
- Working pressure: from vacuum up to 1.000 bar (specifications for vacuum pressures on demand)



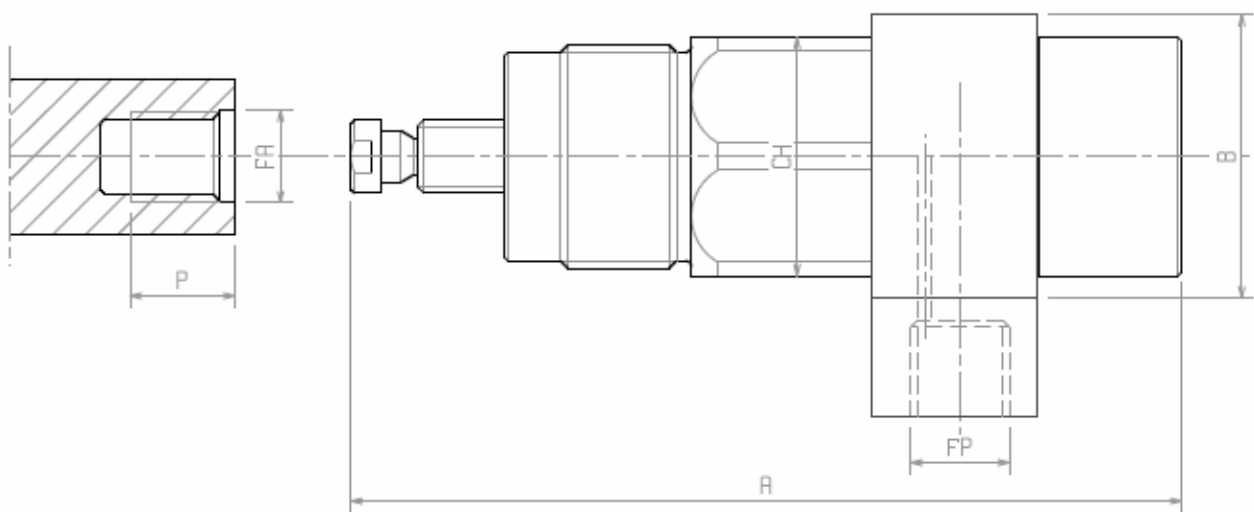
(approximate sizes in mm)

CODE	A	B	CH	FP	ØC	FA	WEIGHT (Kg)
TF01-15÷21-14	70	40	22	1/4"G	3÷6	15÷21	0,30
TF02-22÷32-14	100	61	30	1/2"G	6÷10	22÷32	0,75
TF03-33÷52-14	150	100	30	1/2"G	10÷20	33÷52	1,20

CLAMPING SYSTEM

Series IG-CLAMP (by remote control)

- Clamping system suitable for the clamping of mechanical bodies by connecting into female threads
- Pneumatic or hydraulic remote control
- Stainless steel
- Working pressure: from 6 to 200 bar



(approximate sizes in mm)

CODE	A	B	CH	FP	FA	P	WEIGHT (Kg)
IG-CLAMP01	118	38	32	1/4"G	M10÷M14	14	0,30
IG-CLAMP02	125	45	36	1/4"G	M16÷M18	18	0,75
IG-CLAMP03	150	55	46	1/2"G	M20÷M24	20	1,20